

PARTS FOR N54L AND SMC1754A OPTIONAL HYDRAULIC ACTUATION OF WHEEL DRIVE



PART NO. 357-2
1/2" MALE QUICK COUPLER
(1/2" F NPT PORT)



PART NUMBER 186
1/2" HYDRAULIC HOSE (1/2" M NPT
ENDS) (STATE LENGTH NEEDED)



PART NO. 9575
1/2" X 90°
STREET ELL



PART NO. 1380-25
HYDRAULIC CYLINDER (3" X 3") (TWO 1/2" NPT PORTS)
SEAL KIT FOR NO. 1380-25 (PART NO. 1380-26) (NOT SHOWN)



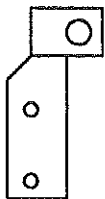
PART NO. 184-3
HYDRAULIC UNION
1/2" M (NPT) X 1/2" F (NPT)



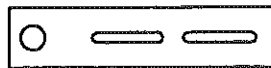
PART NO. 9624-6
1" I.D. X 10 GAUGE
MACHINE BUSHING
WASHER



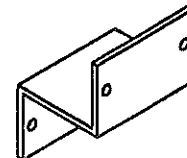
PART NO. 328
DOUBLE HOSE CLAMP



PART NO. 1005-2
PUSHING LUG FOR CYLINDER
(NAME CHANGED FROM
FIXED CYLINDER LUG
2-22-02)



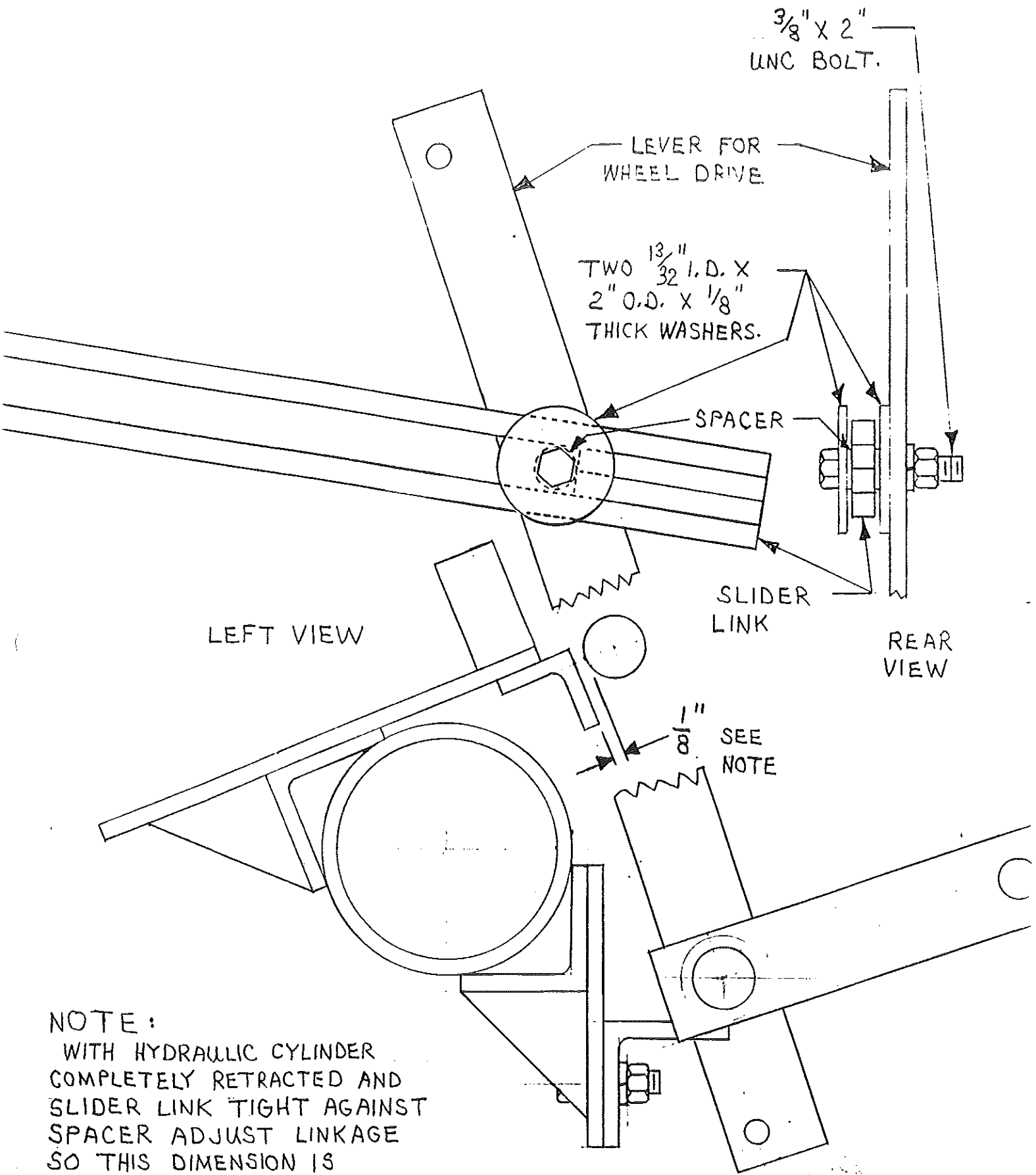
PART NO. 1005-1
ADJUSTABLE CYLINDER LUG



PART NO. 1005
FIXED BRACKET
(ADAPTER ZEE BRACKET)
(NAME CHANGED FROM
ADAPTER (ZEE) BRACKET
2-22-02)

ADJUSTMENTS SHOWN ON DWG. NO. 3951.

Dwg No.
6116



NOTE:
WITH HYDRAULIC CYLINDER
COMPLETELY RETRACTED AND
SLIDER LINK TIGHT AGAINST
SPACER ADJUST LINKAGE
SO THIS DIMENSION IS
OBTAINED.

SMG 1754 SMC 2584

SIMONSEN MFG. CO. Quimby, Iowa	SMC 2064 Title INSTALLATION OF HYDRAULIC CYLINDER ON WHEEL DRIVE	Dr By R J	Date 6-30-88	Scale 1"=2"	Dwg No. 3493
-----------------------------------	--	--------------	-----------------	----------------	-----------------

PARTS FOR SMC1754, SMC2064 AND SMC2584 OPTIONAL HYDRAULIC ACTUATION OF WHEEL DRIVE



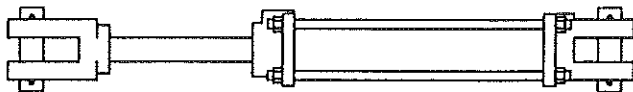
PART NUMBER 186
1/2" HYDRAULIC HOSE (1/2" M NPT ENDS) (STATE LENGTH NEEDED)



PART NO. 357-2
1/2" MALE QUICK COUPLER (1/2" F NPT PORT)



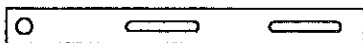
PART NO. 328
DOUBLE HOSE CLAMP



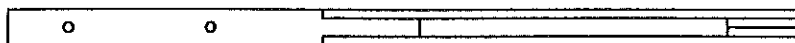
PART NO. 234-1
HYDRAULIC CYLINDER (2" X 8") (TWO 3/8" NPT PORTS)
SEAL KIT FOR NO. 234-1 (PART NO. 234-2) (NOT SHOWN)



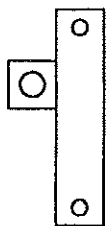
PART NO. 184-37
3/8" M (NPT) X 1/2" F (NPT)
HIGH PRESSURE STREET ELL



PART NO. 1005-24
SLOTTED LINK



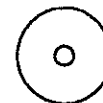
PART NO. 1005-25
SLIDER LINK



PART NO. 1005-26
ROCKER LINK



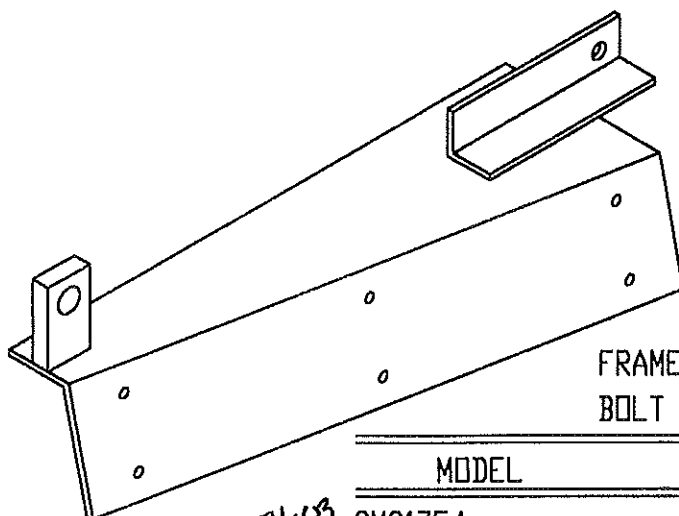
PART NO. 1005-27
SPACER (3/8" I.D. SCHEDULE 80 PIPE X 1/2" LONG)



PART NO. 1005-28
SLUG WASHER (1/8" X 2" O.D. X 13/32" I.D.)



PART NO. 9624-6
1" I.D. X 10 GAUGE
MACHINE BUSHING
WASHER



FRAME BRACKETS
BOLT ON BRACKET FOR SMC1754 SHOWN

Hyd wheel drive Kit 1754-03

MODEL	PART NO.
SMC1754	WELD ON BRACKET BOLT ON BRACKET 1005-33
SMC1754N	WELD ON BRACKET
SMC2064 AND SMC2584	WELD ON BRACKET BOLT ON BRACKET 1005-23

Dwg No.
6115

ADJUSTMENT SHOWN ON DWG. NO. 3493.