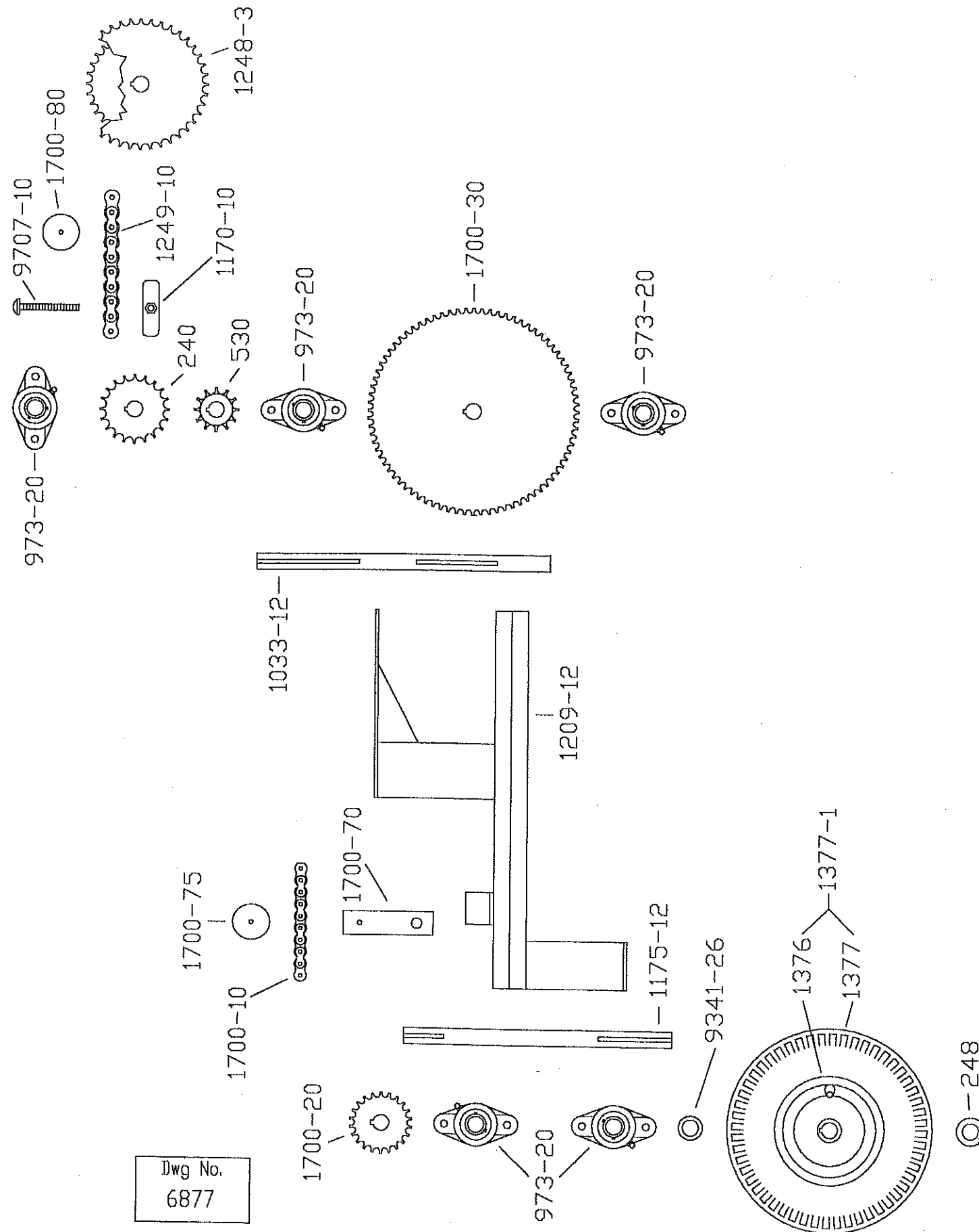


PARTS FOR SMC1754N 60" TREAD WIDTH WHEEL DRIVE

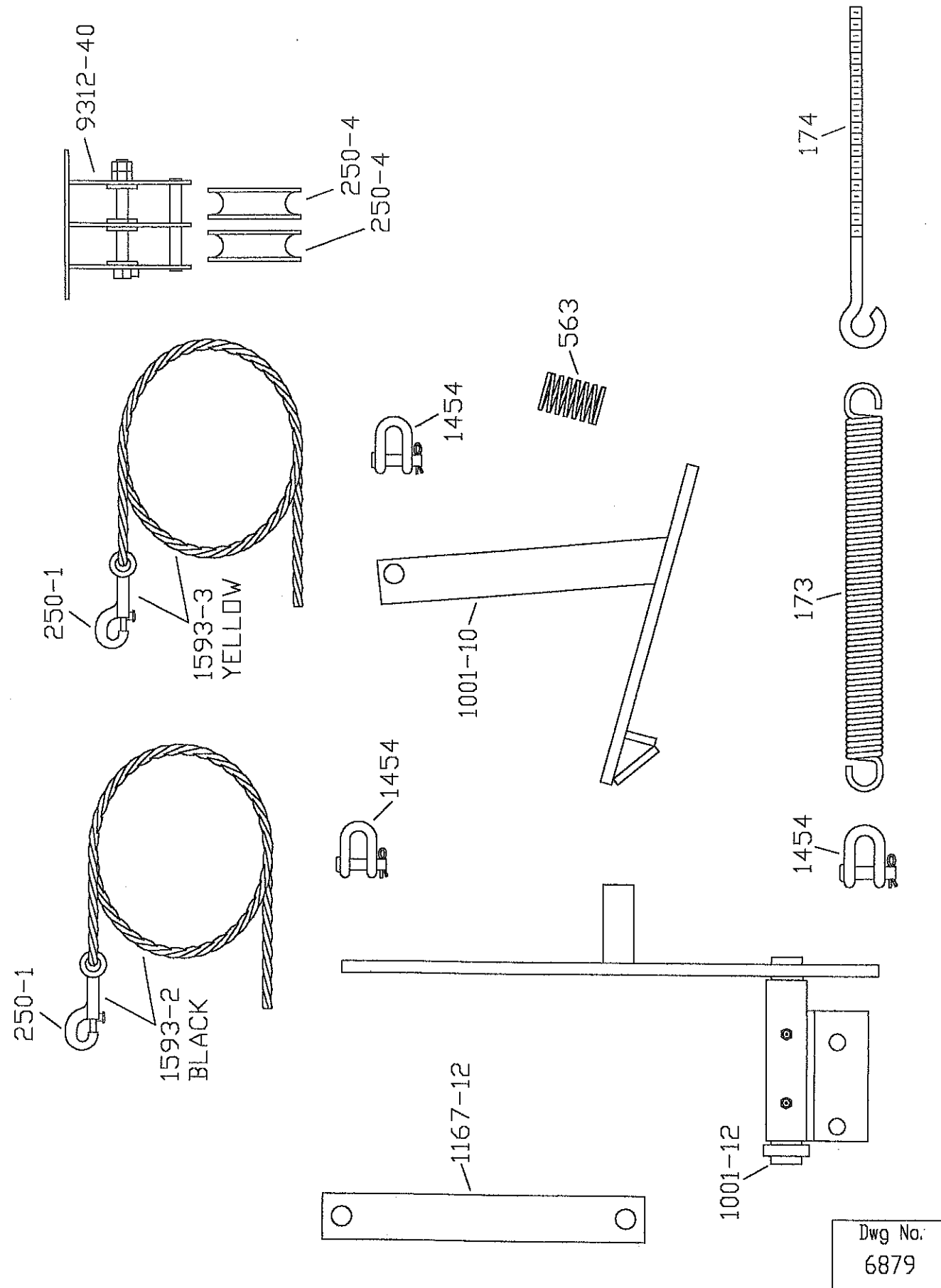


PARTS FOR SMC1754N 60" TREAD WIDTH WHEEL DRIVE

PART NO.	ITEM
240	20T50-1 SPROCKET
248	1" SET COLLAR
530	12T50-1 SPROCKET
816	NO. 50 CONNECTOR LINK (STAINLESS STEEL) (NOT SHOWN)
817	NO. 50 OFFSET LINK (STAINLESS STEEL) (NOT SHOWN)
973-20	1" FLANGE BEARING
1033-12	COUNTERSHAFT 1" DIA. X 18" LONG
1170-10	3/8" HANDLE NUT
1175-12	WHEEL DRIVE SHAFT 1" DIA. X 16-1/2" LONG
1209-12	WHEEL DRIVE YOKE
1248-3	DUAL SPROCKET 32-40T50-1
1249-20	NO. 50 ROLLER CHAIN (STAINLESS STEEL) 107 PITCHES LONG (66-7/8" LONG) PLUS ONE CONNECTOR LINK
1376	WHEEL DRIVE TIRE (13 X 5.00-4 PLY PNEUMATIC) <sup>1376</sup>
1377	WHEEL DRIVE HUB AND RIM ASSEMBLY FOR NO. <del>1377</del> PNEUMATIC TIRE
1377-1	NO. 1376 TIRE AND NO. 1377 RIM (ASSEMBLED)
1700-12	NO. 40 ROLLER CHAIN (STAINLESS STEEL) 179 PITCHES LONG (89-1/2" LONG) PLUS CONNECTOR LINK AND ONE OFFSET LINK
1700-11	NO. 40 CONNECTOR LINK (STAINLESS STEEL) (NOT SHOWN)
1700-20	22T40-1 SPROCKET
1700-30	80T40-1 SPROCKET
1700-70	ARM FOR NO. 1700-75 CHAIN TIGHTENER
1700-75	WOOD CHAIN TIGHTENER BLOCK FOR NO. 40 ROLLER CHAIN (1-1/2" THICK)
1700-80	WOOD CHAIN TIGHTENER BLOCK FOR NO. 50 ROLLER CHAIN (2-3/4" THICK)
9341-26	SPACER (1" I.D. PIPE X 2-1/4" LONG)
9707-10	CARRIAGE BOLT (3/8" X 3-1/2")

Dwg No.  
6878

PARTS FOR SMC1754N 60" TREAD WIDTH WHEEL DRIVE LINKAGE



Dwg No.  
6879

PARTS FOR SMC1754N 60" TREAD WIDTH WHEEL DRIVE LINKAGE

PART NO.	ITEM
174-1	EYE BOLT (3/8" X 16")
173	12" SPRING
174	EYE BOLT (3/8" X 9-1/2")
250-1	SNAP HOOK FOR WHEEL DRIVE ROPE
250-4	WOODEN SHEAVE (PULLEY)
563	2" SPRING
1001-10	LATCH
1001-12	LEVER
1167-12	LINK (1-1/2" X 10-1/2")
1454	CLEVIS
1593-2	ROPE TO ENGAGE WHEEL DRIVE (BLACK) (INCLUDES NO. 250 HOOK)
1593-3	ROPE TO DISENGAGE WHEEL DRIVE (YELLOW) (INCLUDES NO. 250 HOOK)
9312-40	BRACKET FOR NO. 250-4 WOODEN SHEAVES (PULLEYS)

Dwg No.  
6880