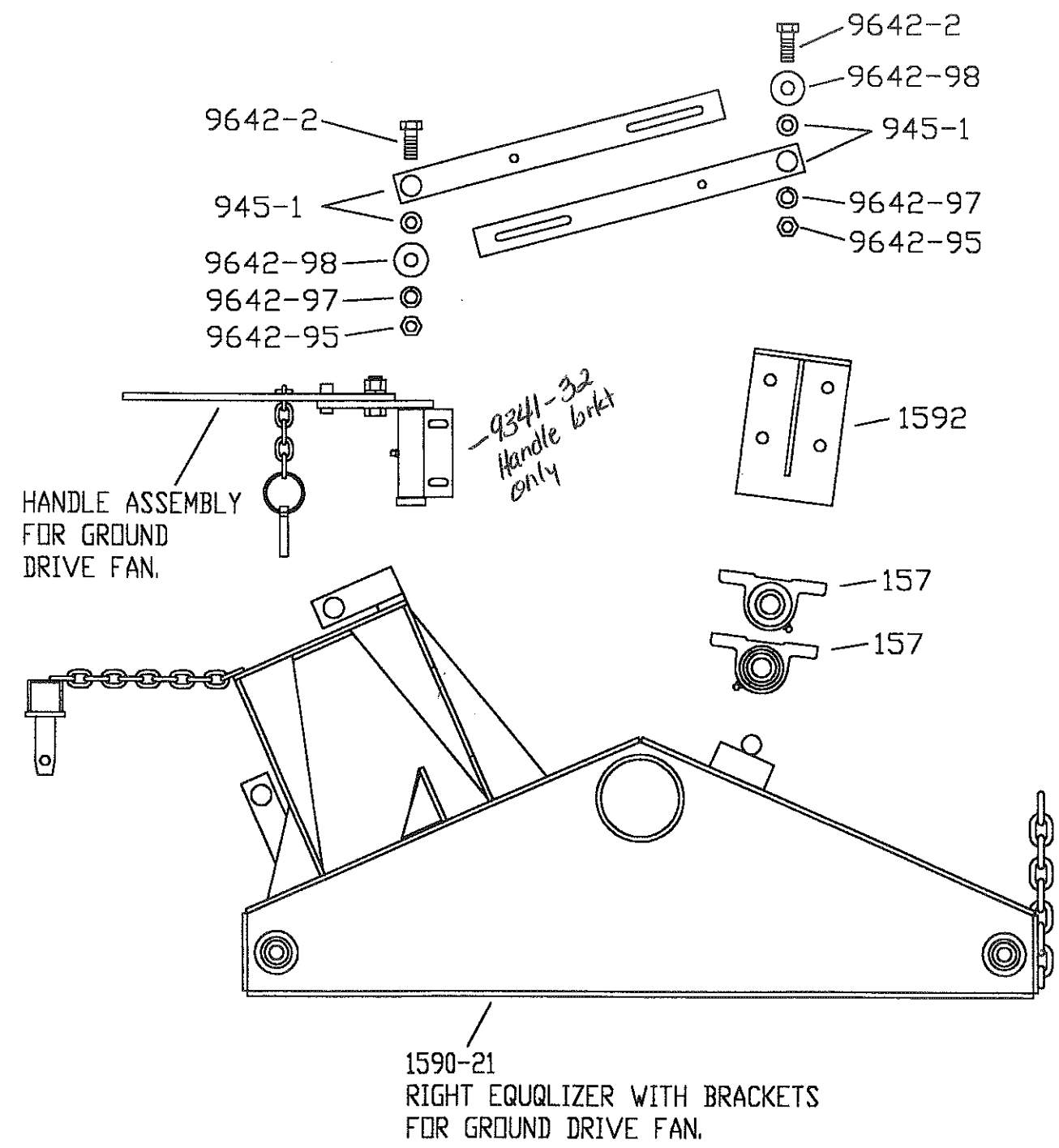




PARTS FOR SMC1754GD OPTIONAL GROUND DRIVE FAN  
WHEEL DRIVE LINKAGE

PARTS FOR SMC1754GD OPTIONAL GROUND DRIVE FAN  
WHEEL DRIVE LINKAGE

PART NO.	ITEM
157	1" PILLOW BLOCK BEARING
945-1	PUSH LINK WITH SPACER (TWO REQUIRED)
1590-21	RIGHT EQUALIZER WITH BRACKETS FOR GROUND FAN
1592	ROCKER ARM
9642-2	9/16" BOLT X 1-1/2" LONG
9642-95	9/16" NUT
9642-97	LOCK WASHER
9642-98	FLAT WASHER
_____	HANDLE ASSEMBLY FOR SMC1754GD GROUND DRIVE FAN WITH 7/16" LYNCH PIN



Dwg No.  
6112

Dwg No.  
6111