

# Parts List

For

Simonsen Bulk Feed Body

Model V-100



When ordering parts  
please give model and serial numbers

Name \_\_\_\_\_

Model \_\_\_\_\_ Serial No. \_\_\_\_\_

Date of Purchase \_\_\_\_\_

All prices are in effect  
January 1, 1978, and are  
subject to change without  
notice.

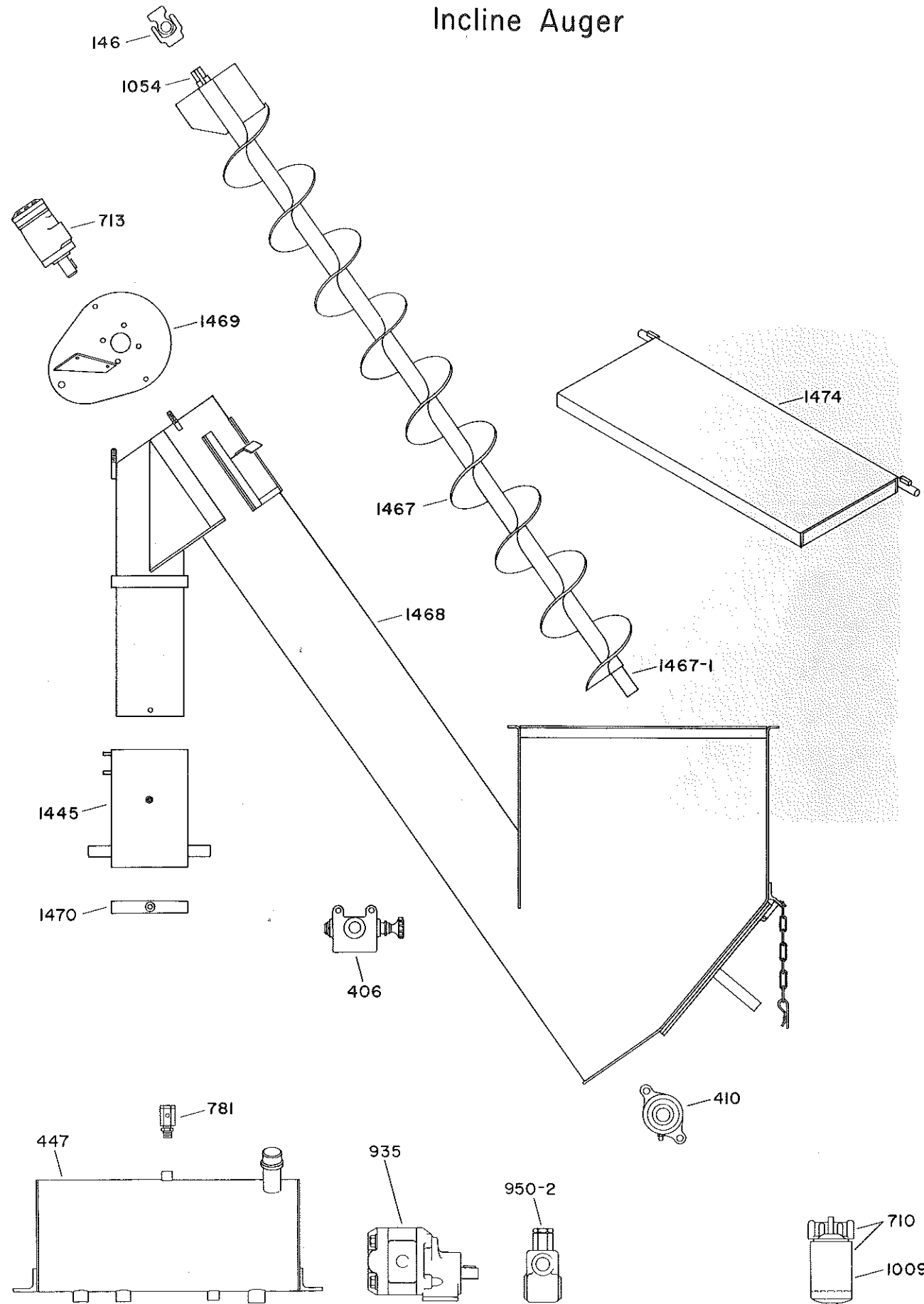
2-78



**SIMONSEN MANUFACTURING CO.**

Quimby, Iowa 51049 Cherokee County Phone 712-445-2100

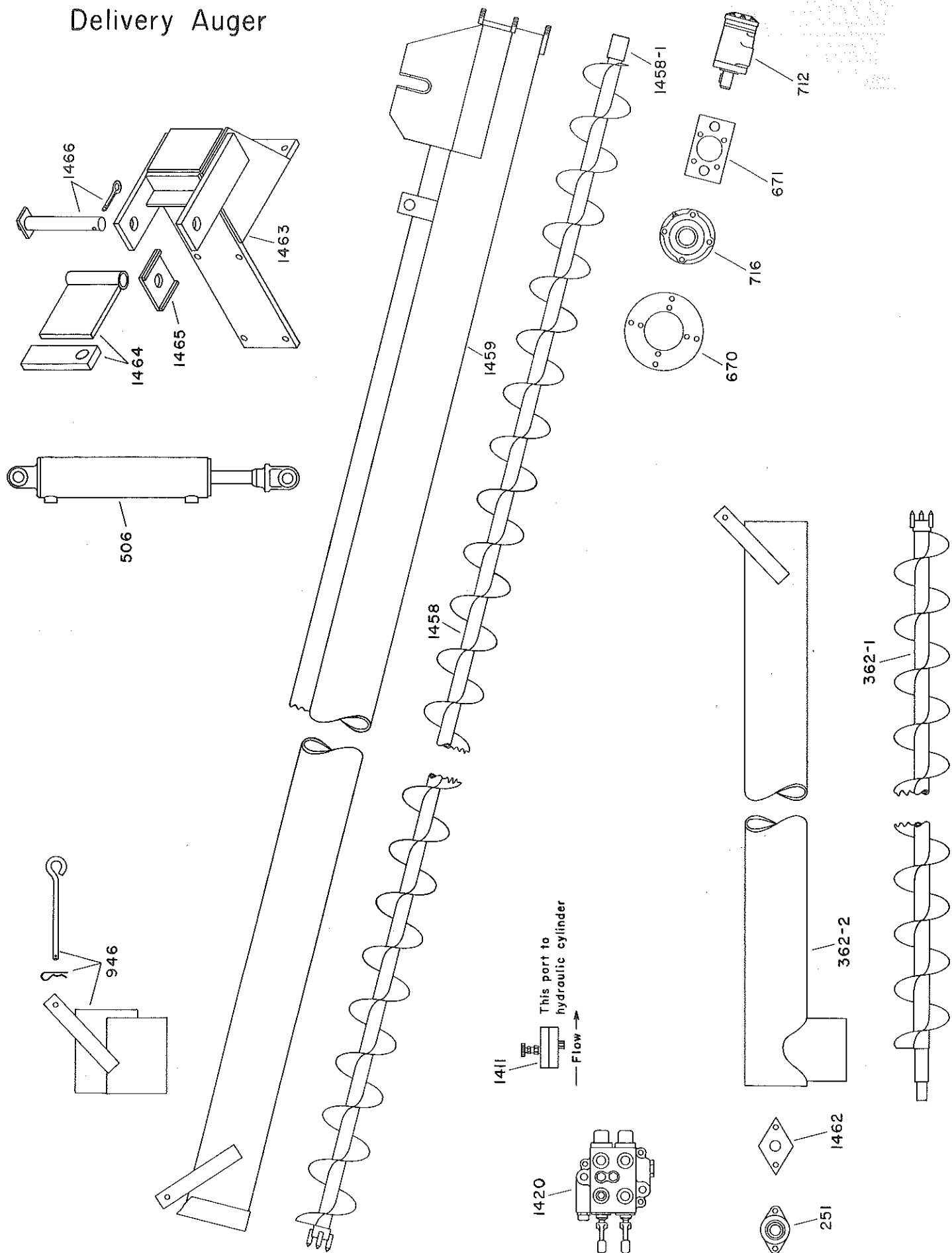
# Incline Auger



# Incline Auger

Part No.	Item	Price
146	1" round x 1" round short u-joint-----	\$ 15.15
406	3/4" selector valve-----	33.45
406-1	Seal for No. 406 selector valve (2 required) (not shown)----	.90 ea.
406-2	Snap ring for No. 406 selector valve (2 required)(not shown)	.75 ea.
406-3	Knob for No. 406 selector valve-----	1.35
410	1 1/4" flange bearing (2 bolt mounting)-----	20.95
447	Oil tank-----	76.00
710	Oil filter assembly (includes No. 1009 cartridge)-----	12.50
713	Hydraulic motor for incline auger (see page 9)-----	172.70
781	Breather filter for oil tank-----	2.55
935	Hydraulic pump (see page 11)-----	261.90
950-2	Relief valve (1500 p. s. i.)-----	71.75
1009	Filter cartridge for No. 710 oil filter assembly-----	4.70
1054	U-joint drive shaft for incline auger 1 1/4" x 7"-----	7.55
1445	Gimbal ring-----	48.25
1467	Flighting for incline auger (complete)-----	49.00
1467-1	Tail shaft for incline auger 1 1/4" x 7"-----	2.25
1468	Tube and hopper for incline auger-----	311.65
1469	Top end plate w/light bracket for incline auger-----	8.55
1470	Retainer ring w/3/8" flat head bolts and jam nuts-----	8.55
1474	Cover for hopper-----	7.30

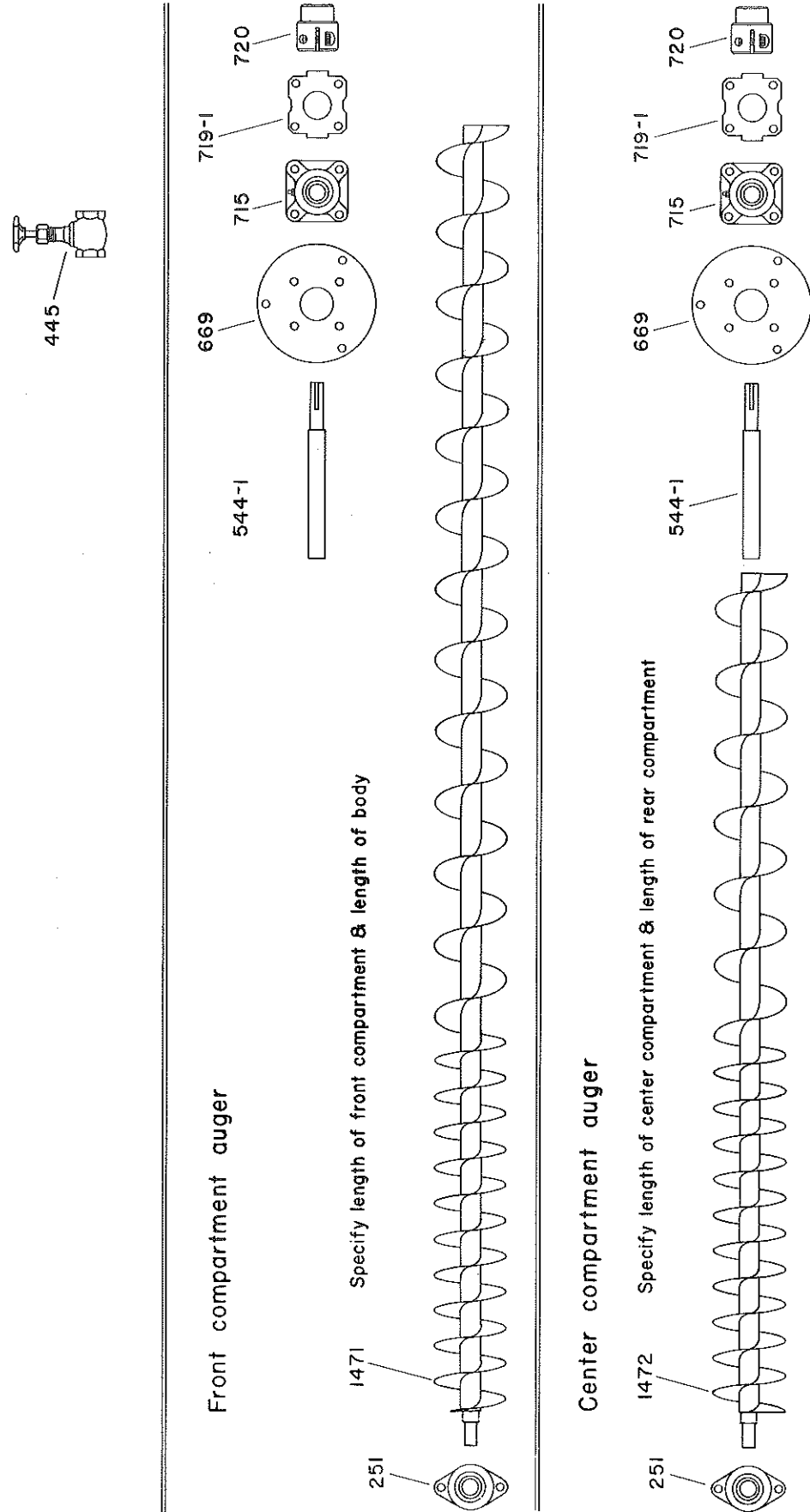
# Delivery Auger



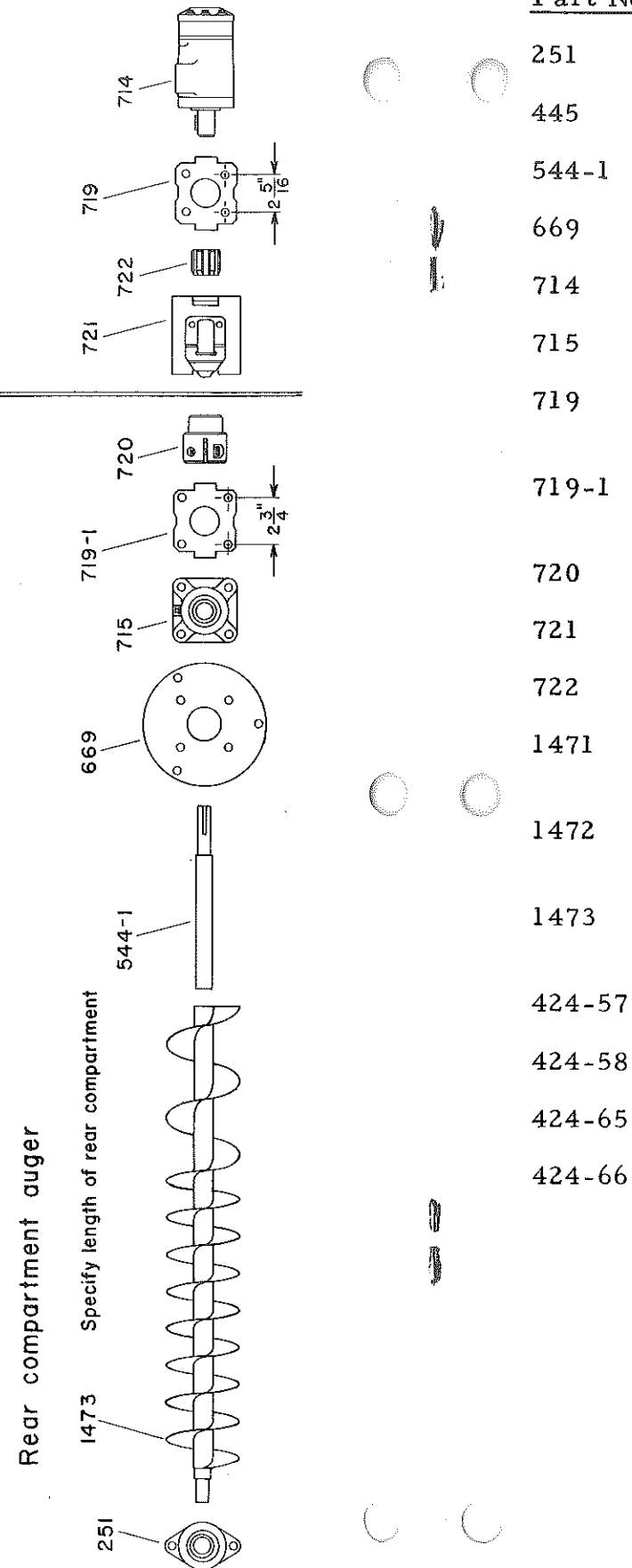
# Delivery Auger

Part No.	Item	Price
251	1" flange bearing (2 bolt mounting)-----	\$ 10.25
362-1	Extension flighting (complete)-----	44.55
362-2	Extension tube-----	45.70
506	3½" x 12" hydraulic cylinder-----	76.75
506-2	Seal kit for No. 506 hydraulic cylinder (not shown)-----	Inquire
670	Round end plate for delivery auger (hopper end)-----	10.45
671	Bracket for motor-----	8.90
712	Hydraulic motor for delivery auger (see page 9)-----	171.40
716	1½" flange bearing (4 bolt mounting)-----	30.90
946	6" hinged down spout w/hinge pin and hair pin-----	29.90
1411	Adjustable restrictor for power raise-----	20.50
1420	Power raise and turn valve-----	130.15
1458	Flighting for delivery auger (complete)-----	72.40
1458-1	Drive shaft weldment for delivery auger (includes shaft and collar w/keyway)-----	3.10
1459	Tube for delivery auger-----	147.10
1462	Back up plate for No. 251 bearing-----	1.50
1463	Hinge bracket for jib-----	34.75
1464	Jib w/cylinder lug (shipped loose)-----	6.90
1465	Wear plate for under jib-----	2.35
1466	Hinge pin w/¼" x 2" cotter for jib-----	2.10

## Floor Augers

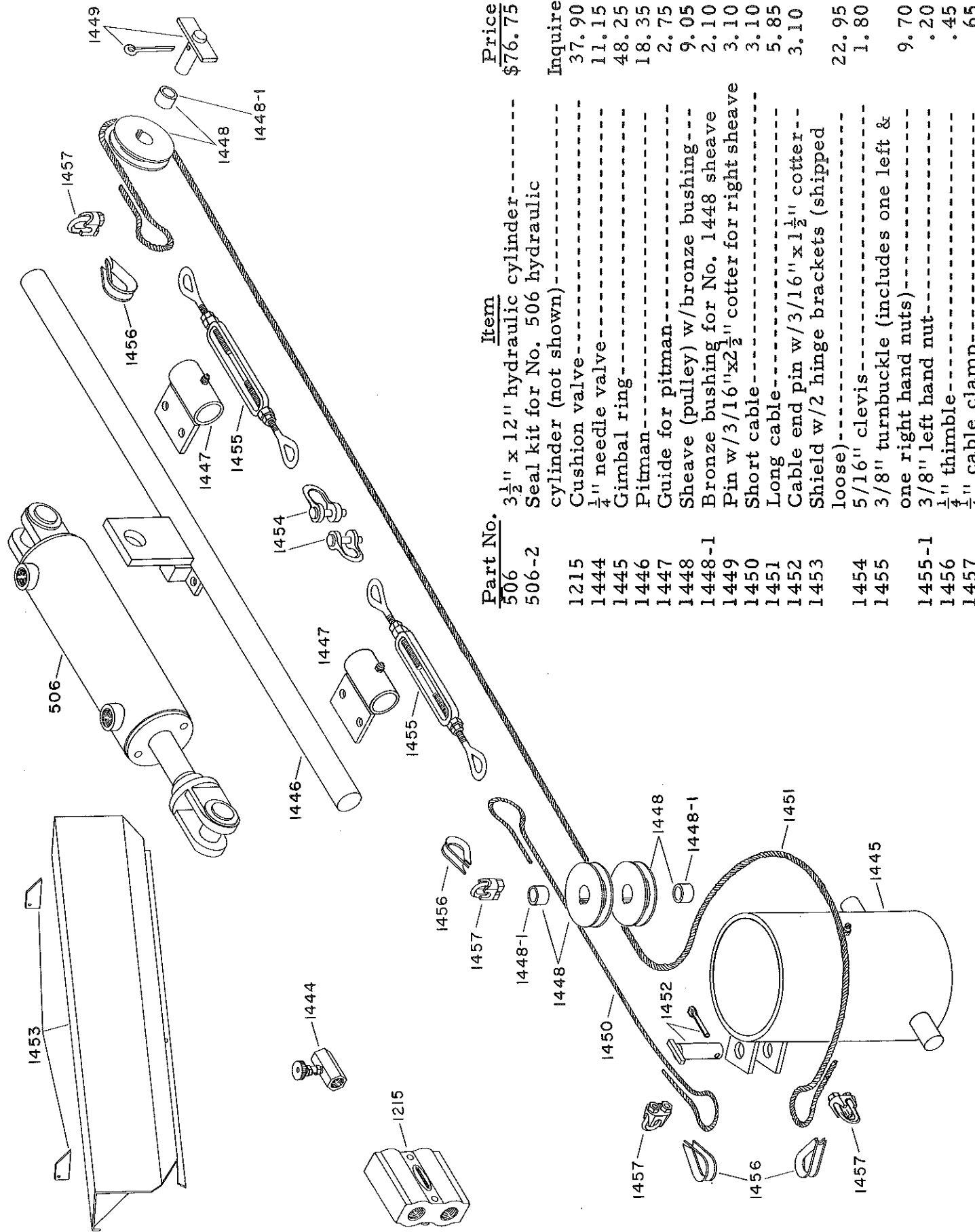


## Floor Augers



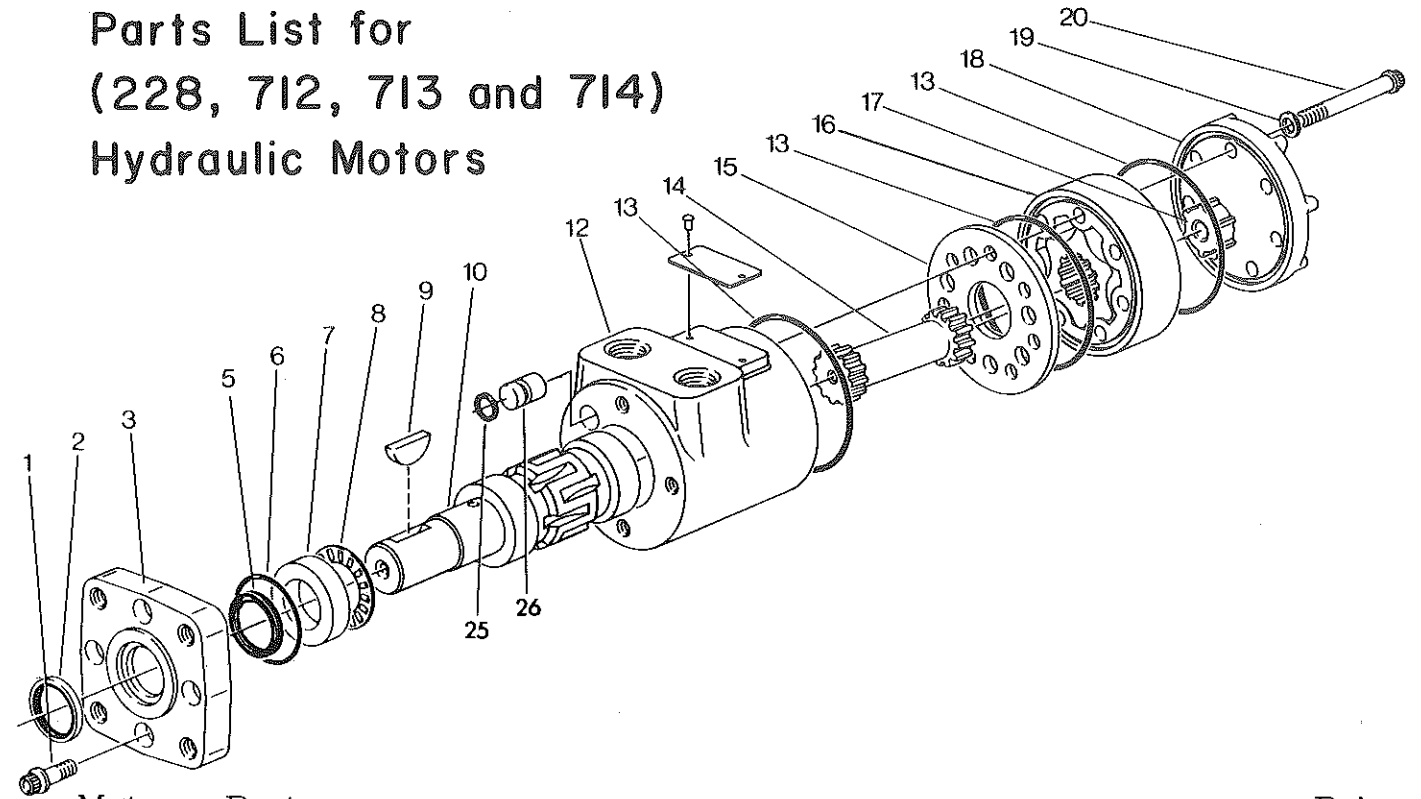
Part No.	Item	Price
251	1" flange bearing (2 bolt mounting)-----	\$ 10.25
445	3/4" needle valve-----	36.00
544-1	Drive shaft for floor auger 1 1/4" x 20"-----	12.35
669	End plate for floor auger-----	2.90
714	Hydraulic motor for floor augers (see page 9)-----	184.40
715	1" flange bearing (4 bolt mounting)-----	15.80
719	Mounting plate for coupler tube, motor end (2 5/16" distance between mounting holes)-----	6.00
719-1	Mounting plate for coupler tube, auger end (2 3/4" distance between mounting holes)-----	10.20
720	Auger coupling half w/female spline-----	57.50
721	Coupler tube-----	71.75
722	Motor coupling half w/male spline-----	26.40
1471	Floor auger for front compartment (specify length of front compartment and length of body)-----	Varies with length
1472	Floor auger for middle compartment (specify length of middle compartment & length of rear compartment)---	Varies with length
1473	Floor auger for rear compartment (specify length of rear compartment)-----	Varies with length
424-57	Nylon tarp for V-112 (not shown)-----	120.00
424-58	Nylon tarp kit for V-112 (not shown)-----	130.00
424-65	Nylon tarp for V-114 (not shown)-----	135.00
424-66	Nylon tarp kit for V-114 (not shown)-----	145.00

Power Turn

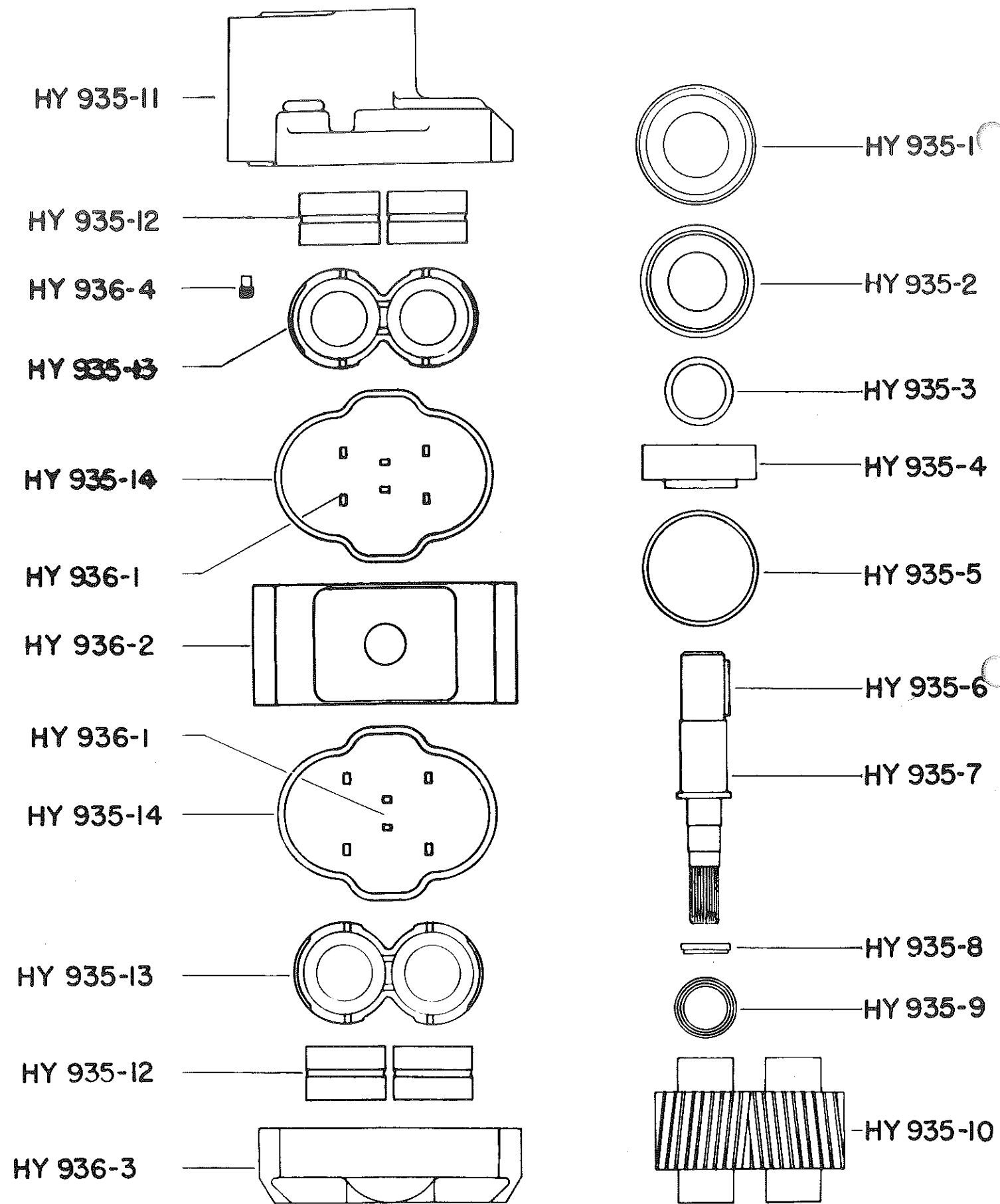


Part No.	Item	Price
506	3 1/2" x 12" hydraulic cylinder	\$76.75
506-2	Seal kit for No. 506 hydraulic cylinder (not shown)	Inquire
1215	Cushion valve	37.90
1444	1/2" needle valve	11.15
1445	Gimbal ring	48.25
1446	Pitman	18.35
1447	Guide for pitman	2.75
1448	Sheave (pulley) w/bronze bushing	9.05
1448-1	Bronze bushing for No. 1448 sheave	2.10
1449	Pin w/3/16"x2 1/2" cotter for right sheave	3.10
1450	Short cable	3.10
1451	Long cable	5.85
1452	Cable end pin w/3/16"x1 1/2" cotter	3.10
1453	Shield w/2 hinge brackets (shipped loose)	22.95
1454	5/16" clevis	1.80
1455	3/8" turnbuckle (includes one left & one right hand nuts)	9.70
1455-1	3/8" left hand nut	.20
1456	1/4" thimble	.45
1457	1/4" cable clamp	.65

Parts List for  
(228, 712, 713 and 714)  
Hydraulic Motors



Item	Motor No.	Part Number	Description	Qty	Price Each
1	All	884-1	Cap screw (12 pt. dr. 5/16" - 24 x 7/8")	4	\$ .25
2	All	886-50	Dust seal	1	1.40
3	All	887-50	Mounting flange	1	20.55
5	All	888-50	Shaft pressure seal	1	1.90
6	All	889-50	O-ring seal	1	.40
7	All	890-50	Bearing race	1	6.90
8	All	891	Thrust bearing	1	2.50
9	All	892-50	Woodruff key	1	.60
10	All	883-50	Output shaft	1	56.50
12	All	893-50	Housing	1	Inquire
13	All	882-50	O-ring seal	3	.55
14	228	897	Drive	1	15.20
14	712	896	Drive	1	14.05
14	713	897	Drive	1	15.20
14	714	897	Drive	1	15.20
15	All	900-50	Spacer plate	1	Inquire
16	228	901-51	Gerotor set	1 set	Inquire
16	712	901-52	Gerotor set	1 set	Inquire
16	713	901-53	Gerotor set	1 set	Inquire
16	714	901-54	Gerotor set	1 set	Inquire
17	228	899	Spacer	1	1.35
17	712	----	Spacer (not used)	0	
17	713	----	Spacer (not used)	0	
17	714	898	Spacer	1	1.05
18	All	903-50	End cap	1	Inquire
19	All	904-50	Seal washer	7	Inquire
20	228	904-51	Cap screw (12 pt. dr. 5/16" - 24 x 2 3/4")	7	.60
20	712	904-52	Cap screw (12 pt. dr. 5/16" - 24 x 1 5/8")	7	Inquire
20	713	904-53	Cap screw (12 pt. dr. 5/16" - 24 x 1 3/4")	7	Inquire
20	714	904-54	Cap screw (12 pt. dr. 5/16" - 24 x 2 1/8")	7	Inquire
25	All	894	O-ring	1	.25
26	All	895	Plug	1	2.10
	All	905-90	Seal kit (not shown)	1	14.25



### (HY935) Hydraulic Pump Parts

<u>Part No.</u>	<u>Item</u>	<u>Price</u>
HY935	Pump (complete)-----	\$261.90
HY935-1	Retainer ring-----	9.95
HY935-2	Seal retainer-----	9.65
HY935-3	Double lip seal-----	3.00
HY935-4	Tapered roller bearing-----	6.85
HY935-5	"O" ring-----	1.50
HY935-6	Shaft key-----	1.60
HY935-7	Shaft-----	36.60
HY935-8	Shaft bushing-----	4.55
HY935-9	Spring-----	1.55
HY935-10	Gear set (drive and driven)-----	88.45
HY935-11	Shaft end cover-----	42.90
HY935-12	Roller bearing-----	11.00
HY935-13	Thrust plate-----	18.25
HY935-14	"O" ring gasket-----	1.15
HY936-1	Pocket seal strip (2 - 3" strips makes a complete set)	.80 ea.
HY936-2	Center housing-----	47.60
HY936-3	Port end cover-----	20.05
HY936-4	Check valve assembly-----	1.95

Prices subject to change without notice

#### PUMP AND MOTOR SERVICE

A complete stock of parts for pumps and motors is carried at the factory in Quimby, Iowa. One day overhaul service is also available. Service units are not available while repair is being made on your pump or motor. Your worn pump or motor, if in repairable condition, is worth 30% exchange on a new or rebuilt unit.

#### REPAIR PARTS

Ordering by PART NUMBER helps us give you fast service.

## GENERAL INSTRUCTIONS

### OIL FOR HYDRAULIC SYSTEMS

Change oil annually and use Texaco Rando Oil HD-AZ or equivalent. Also, 10W30 motor oil makes a good year around oil. Clean breather on oil tank frequently. Oil level should be 2 - 3 inches below the top of the oil tank. Use care when filling or servicing the hydraulic system to prevent dirt from getting into the system.

### CAUTION

In extremely cold weather, all motors should be disengaged before the hydraulic system is started. The power-take-off and pump may then be engaged, and the oil should be allowed to circulate for several minutes before the motors are put into operation.

### OIL FILTER CARTRIDGE

Replace filter cartridge (1009) after first 50 hours of operation, each 250 hours thereafter.

### PUMP AND MOTOR SERVICE

A complete stock of parts for pumps and motors is carried at the factory in Quimby, Iowa. One day overhaul service is also available. Service units are not available while repair is being made on your pump or motor. Your worn pump or motor, if in repairable condition, is worth 30% exchange on a new or rebuilt unit of the same size.

### REPAIR PARTS

Ordering by Part Number helps us give you fast service. When ordering auger tubes and flighting, specify exact length needed.

### WARRANTY

Simonsen Manufacturing Company warrants each new Simonsen product to be free from defects in material and workmanship under normal usage and service for a period of 90 days from date of first use.

Our obligation under this warranty is limited to repairing or replacing free of charge to the original purchaser-user any part that in our judgment shows evidence of defect or improper workmanship, providing such part has not been subjected to misuse or alteration, and provided the part is returned to Simonsen Manufacturing Company. Transportation charges prepaid.

In no case shall Simonsen Manufacturing Company or the seller be liable for consequential, special or indirect damages resulting from the use or handling of this product.

SIMONSEN MANUFACTURING COMPANY MAKES NO EXPRESS OR IMPLIED WARRANTIES OF MERCHANTABILITY OR FITNESS FOR A PARTICULAR PURPOSE.

The warranty may be varied only by agreement in writing signed by a duly authorized agent of the Simonsen Manufacturing Company.