

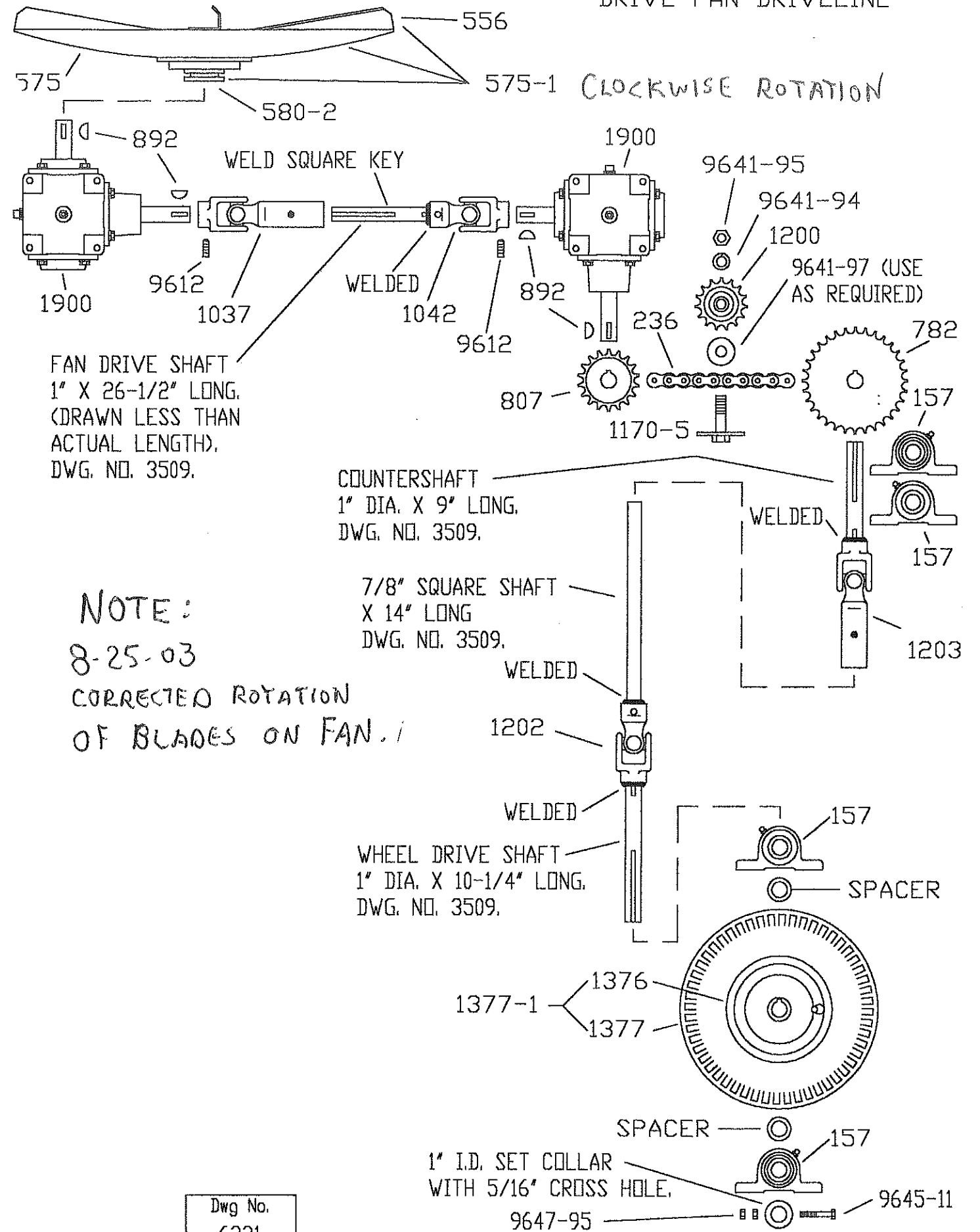
PARTS FOR MODELS SMC2064GD AND N64LGD OPTIONAL  
GROUND DRIVE FAN DRIVELINE

PART NO.	ITEM
----------	------

157	1" PILLOW BLOCK BEARING
236	NO. 50 ROLLER CHAIN (BLACK) ( <del>STATE LENGTH NEEDED</del> ) 71 PITCHES (94 <sup>3</sup> / <sub>8</sub> " LONG)
237	NO. 50 CONNECTOR LINK (BLACK) (NOT SHOWN)
238	NO. 50 OFFSET LINK (BLACK) (NOT SHOWN)
556	FAN BLADE
575	24" FAN DISC WITH HUB AND BUSHING (LESS BLADES)
575-1	24" FAN DISC WITH HUB, BUSHING AND FOUR BLADES CLOCKWISE ROTATION
580-2	BUSHING FOR FAN HUB
782	32T50-1" SPROCKET
807	18T50-1" SPROCKET
1037	1" DIA. ROUND X 1" DIA. ROUND SLIP JOINT
1042	1" DIA. ROUND X 1" DIA. ROUND U-JOINT
1170-5	IDLER SPROCKET BOLT (5/8" X 2-1/2")
1200	15T50-5/8" IDLER SPROCKET WITH BEARING
1202	7/8" SQUARE X 1" DIA. ROUND U-JOINT
1203	7/8" SQUARE X 1" DIA. ROUND SLIP JOINT
1376	WHEEL DRIVE TIRE (13 X 5.00-4 PLY PNEUMATIC) 1376
1377	WHEEL DRIVE HUB AND RIM ASSEMBLY FOR NO. <del>1377</del> PNEUMATIC TIRE
1377-1	NO. 1376 TIRE AND NO. 1377 RIM (ASSEMBLED)
1900	FAN GEARBOX (INCLUDES TWO #892 WOODRUFF KEYS <sup>1</sup> / <sub>4</sub> " X 1") (SEE PAGE 20)
9612	SQUARE HEAD SET SCREW (3/8" X 3/4")
9641-94	5/8" LOCK WASHER
9641-95	5/8" NUT
9641-97	5/8" FLAT WASHER (USE AS REQUIRED)
9647-11	1/4" X 2" BOLT
9647-95	1/4" NUT (DOUBLE NUT)
_____	WHEEL DRIVE SHAFT (1" DIA. X 10-1/4" LONG)
_____	SQUARE SHAFT (7/8" SQUARE X 14" LONG) (DRAWING NO. 3509)
_____	COUNTERSHAFT (1" DIA. X 9" LONG) (DRAWING NO. 3509)
_____	FAN DRIVE SHAFT (1" DIA. X 26-1/2" LONG)
_____	SPACER (1" I.D. PIPE X 1-1/4" LONG) (DRAWING NO. 4645)
_____	1" I.D. SET COLLAR WITH 1/4" DIA. CROSS HOLE (1" I.D. SET COLLAR WITH OUT CROSS HOLE PART NO. 248)
9873	<sup>1</sup> / <sub>4</sub> " SQUARE KEY STOCK (STATE LENGTH NEEDED)
892	WOODRUFF KEY ( <sup>1</sup> / <sub>4</sub> " X 1")

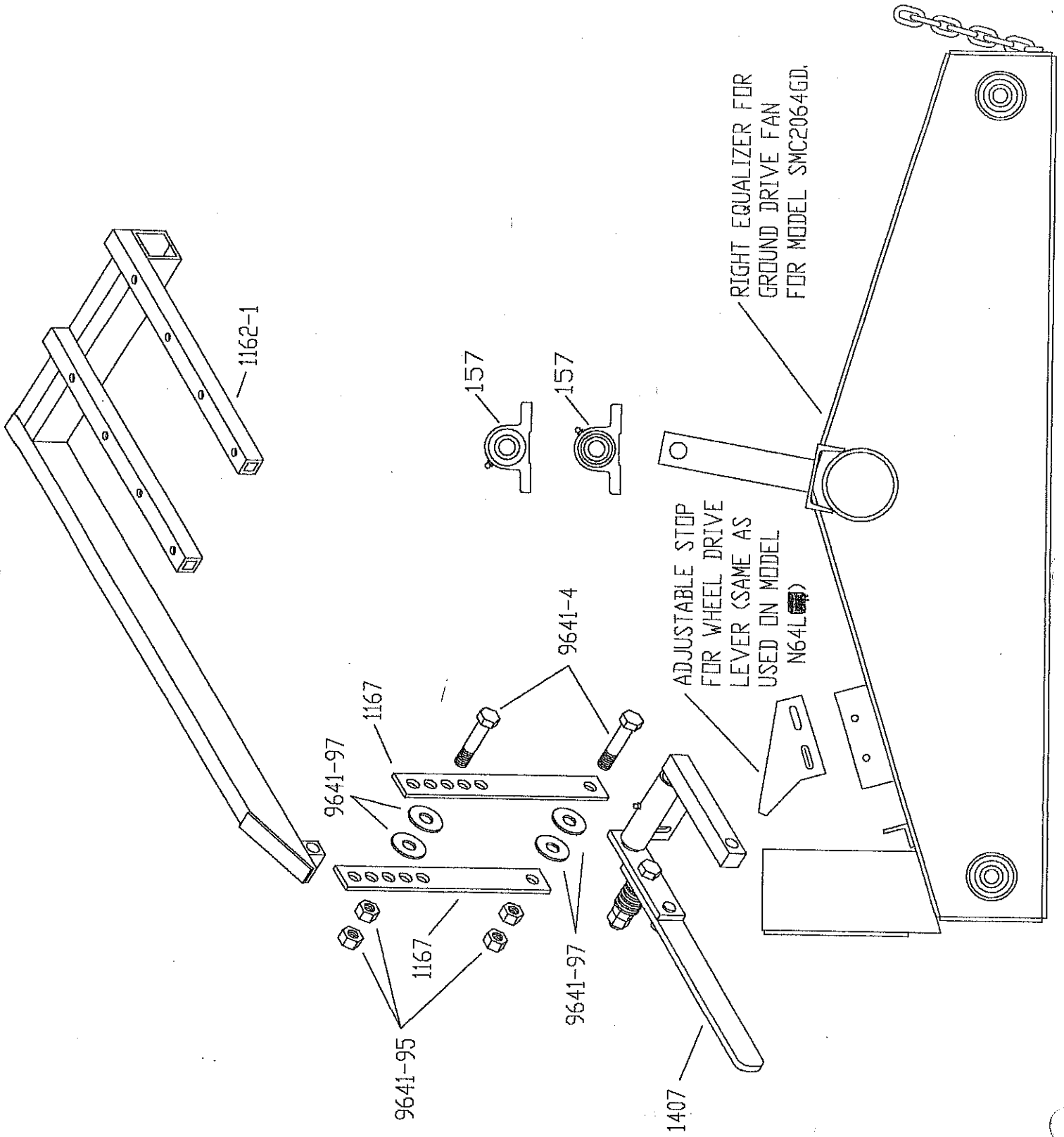
Dwg No.  
6332

PARTS FOR MODELS SMC2064GD AND N64LGD OPTIONAL GROUND  
DRIVE FAN DRIVELINE



Dwg No.  
6331

PARTS FOR SMC2064GD OPTIONAL GROUND DRIVE FAN  
WHEEL DRIVE LINKAGE



Dwg No.  
6333