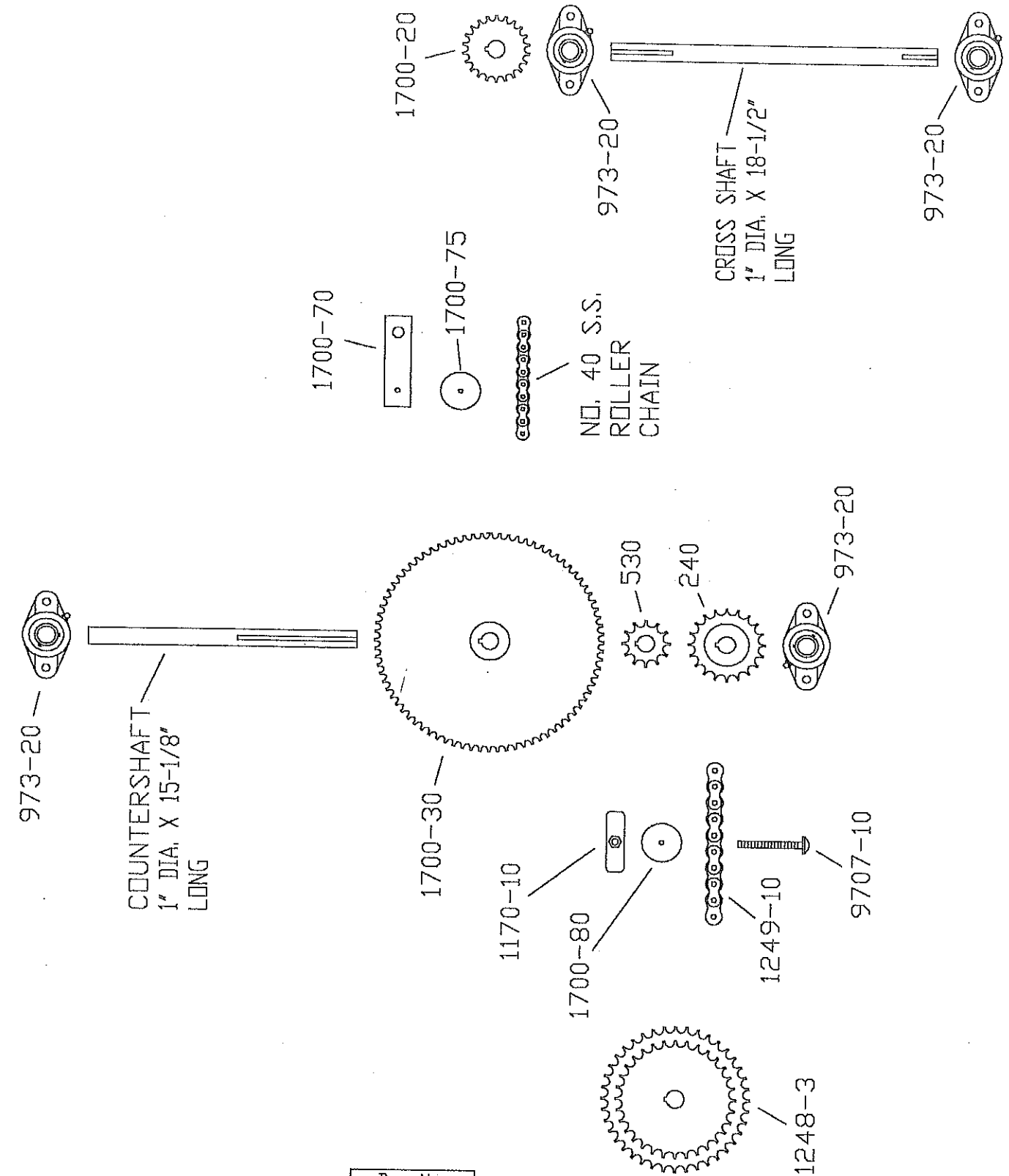


PARTS FOR SMC2064A APRON DRIVE SLOW DOWN
60"-80" OR 60"-88" TREAD WIDTH

PART NO.	ITEM
240	20T50-1 SPROCKET
530	12T50-1 SPROCKET
816	NO. 50 CONNECTOR LINK (STAINLESS STEEL) (NOT SHOWN)
817	NO. 50 OFFSET LINK (STAINLESS STEEL) (NOT SHOWN)
973-20	1" FLANGE BEARING
1170-10	3/8" HANDLE NUT
1248-3	DUAL SPROCKET 32-40T50-1
1249-20	NO. 50 ROLLER CHAIN (STAINLESS STEEL) 97 PITCHES LONG (66-7/8" LONG) PLUS ONE CONNECTOR LINK
1700-12	NO. 40 ROLLER CHAIN (STAINLESS STEEL) 179 PITCHES LONG (89-1/2" LONG) PLUS ONE CONNECTOR LINK
1700-11	NO. 40 CONNECTOR LINK (STAINLESS STEEL) (NOT SHOWN)
1700-20	22T40-1 SPROCKET
1700-30	80T40-1 SPROCKET
1700-70	ARM FOR NO. 1700-75 CHAIN TIGHTENER
1700-75	WOOD CHAIN TIGHTENER BLOCK FOR NO. 40 ROLLER CHAIN (1-1/2" THICK)
1700-80	WOOD CHAIN TIGHTENER BLOCK FOR NO. 50 ROLLER CHAIN (2-3/4" THICK)
9707-10	CARRIAGE BOLT (3/8" X 3-1/2")
—	COUNTERSHAFT 1" DIA. X 15-1/8" LONG (DRAWING NO. 5374)
—	CROSS SHAFT 1" DIA. X 18-1/2" LONG (DRAWING NO. 5375)

Dwg No.
6644

PARTS FOR SMC2064A APRON DRIVE SLOW DOWN
60"-80" OR 60"-88" TREAD WIDTH



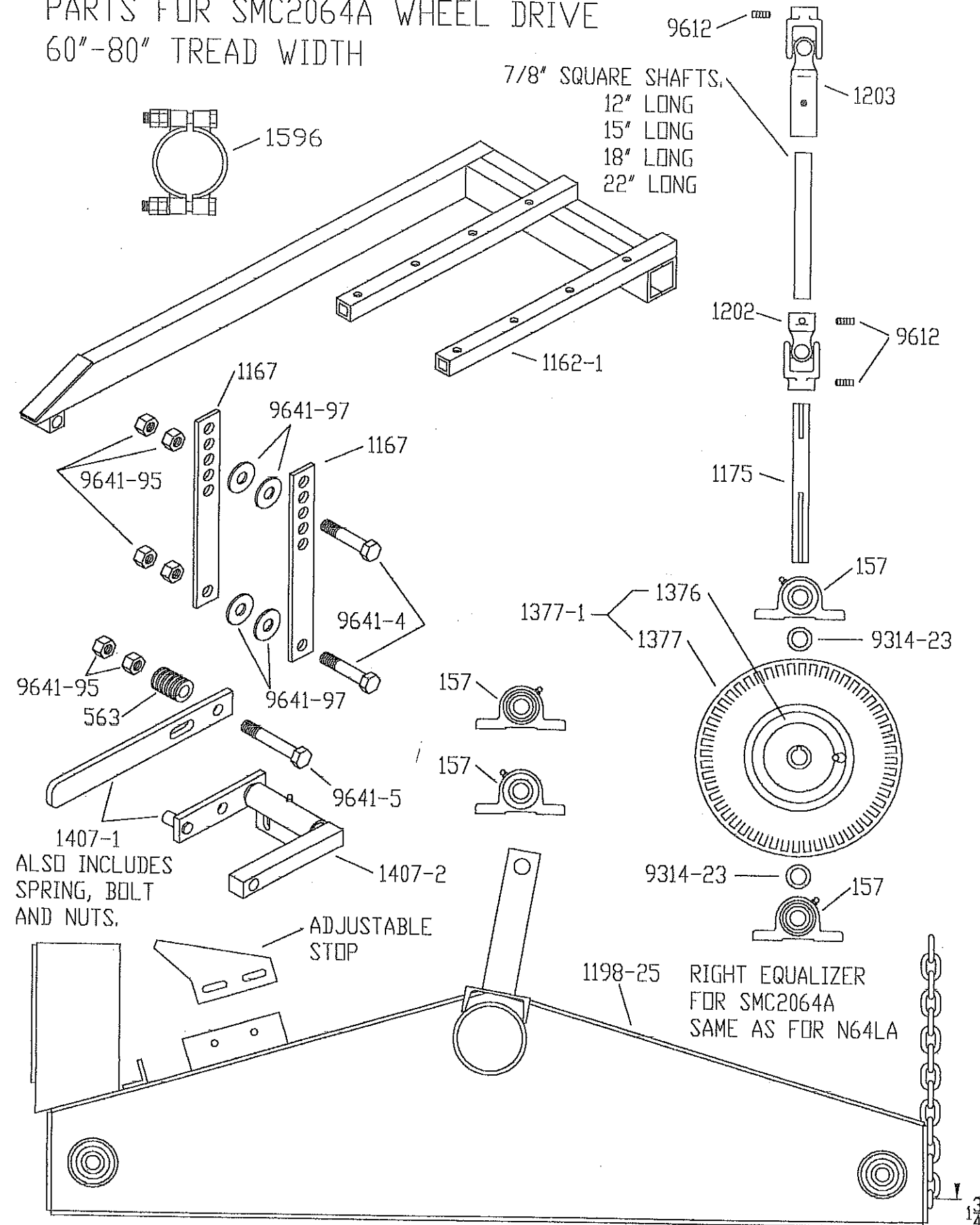
Dwg No.
6643

PARTS FOR SMC2064A WHEEL DRIVE
60"-80" TREAD WIDTH

PART NO.	ITEM
157	1" PILLOW BLOCK BEARING
563	2" SPRING
1162-1	WHEEL DRIVE YOKE FOR N64LA
1167	WHEEL DRIVE LINKAGE
1175	WHEEL DRIVE SHAFT (1" DIA. X 9-1/2")
1202	U-JOINT (7/8" SQUARE X 1" DIA. ROUND)
1203	SLIP JOINT (7/8" SQUARE X 1" DIA. ROUND)
1376	WHEEL DRIVE TIRE (13 X 5.00-4 PLY PNEUMATIC) ¹³⁷⁶
1377	WHEEL DRIVE HUB AND RIM ASSEMBLY FOR NO. 1377 PNEUMATIC TIRE
1377-1	NO. 1376 TIRE AND NO. 1377 RIM (ASSEMBLED)
1407-1	WHEEL DRIVE HANDLE ASSEMBLY (SPRING LOADED) INCLUDES PIVOT BRACKET, HANDLE 12-1/2" LONG, 2" SPRING, 5/8" X 3-1/2" BOLT AND DOUBLE NUTS
1407-2	PIVOT BRACKET PART FOR WHEEL DRIVE HANDLE ASSEMBLY
1596	EQUALIZER RETAINING RING (CLAMP)
9612	SQUARE HEAD SET SCREW (3/8" X 3/4")
9314-23	SPACER (1" I.D. PIPE X 1-1/4" LONG)
9641-4	5/8" BOLT X 3" LONG
9641-5	5/8" BOLT X 3-1/2" LONG
9641-95	5/8" NUT (DOUBLE NUT)
9641-97	5/8" FLAT WASHER
—	ADJUSTABLE STOP FOR WHEEL DRIVE LEVER FOR N64L
1198-25	SMC2064A RIGHT EQUALIZER (SAME AS N64LA) WITH WHEEL DRIVE BRACKET AND 15 LINKS OF 5/16" CHAIN (LESS HUBS)
1405-25	SMC2064A LEFT EQUALIZER (SAME AS N64LA) WITH 15 LINKS OF 5/16" CHAIN (LESS HUBS) (NOT SHOWN)
—	7/8" SQUARE SHAFTS (STATE LENGTH REQUIRED) 12" LONG FOR 60" TREAD WIDTH 15" LONG FOR 66" TREAD WIDTH 18" LONG FOR 72" TREAD WIDTH 22" LONG FOR 80" TREAD WIDTH

Dwg No.
6642

PARTS FOR SMC2064A WHEEL DRIVE
60"-80" TREAD WIDTH

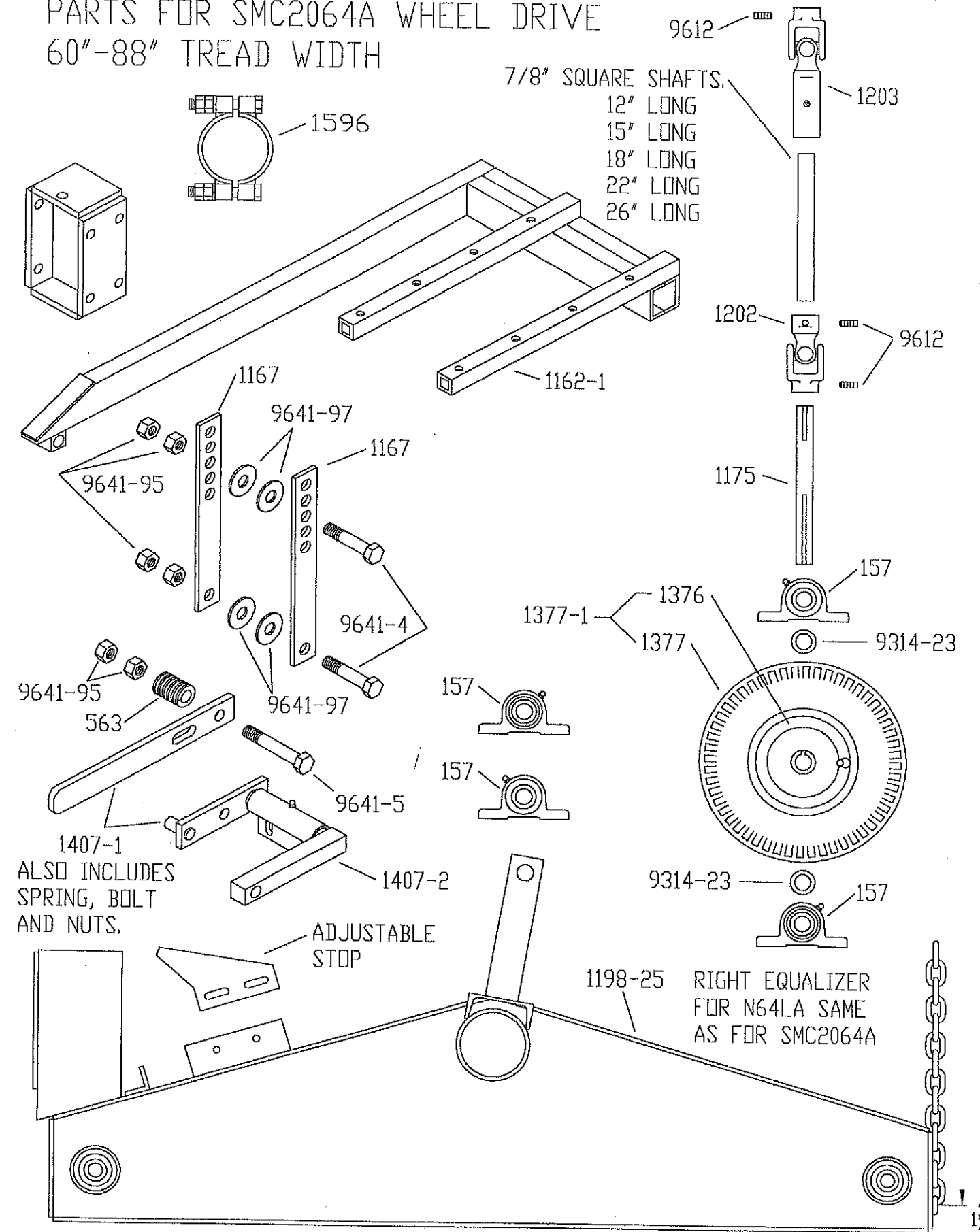


DWG. NO. 6641

PARTS FOR SMC2064A WHEEL DRIVE
60"-88" TREAD WIDTH

PART NO.	ITEM
157	1" PILLOW BLOCK BEARING
563	2" SPRING
1162-1	WHEEL DRIVE YOKE FOR N64LA
1167	WHEEL DRIVE LINKAGE
1175	WHEEL DRIVE SHAFT (1" DIA. X 9-1/2")
1202	U-JOINT (7/8" SQUARE X 1" DIA. ROUND)
1203	SLIP JOINT (7/8" SQUARE X 1" DIA. ROUND)
1376	WHEEL DRIVE TIRE (13 X 5.00-4 PLY PNEUMATIC) <i>1376</i>
1377	WHEEL DRIVE HUB AND RIM ASSEMBLY FOR NO. 1377 PNEUMATIC TIRE
1377-1	NO. 1376 TIRE AND NO. 1377 RIM (ASSEMBLED)
1407-1	WHEEL DRIVE HANDLE ASSEMBLY (SPRING LOADED) INCLUDES PIVOT BRACKET, HANDLE 12-1/2" LONG, 2" SPRING, 5/8" X 3-1/2" BOLT AND DOUBLE NUTS
1407-2	PIVOT BRACKET PART FOR WHEEL DRIVE HANDLE ASSEMBLY
596	EQUALIZER RETAINING RING (CLAMP)
3612	SQUARE HEAD SET SCREW (3/8" X 3/4")
9314-23	SPACER (1" I.D. PIPE X 1-1/4" LONG)
9641-4	5/8" BOLT X 3" LONG
9641-5	5/8" BOLT X 3-1/2" LONG
9641-95	5/8" NUT (DOUBLE NUT)
9641-97	5/8" FLAT WASHER
—	ADJUSTABLE STOP FOR WHEEL DRIVE LEVER FOR N64L
1198-25	N64LA RIGHT EQUALIZER (SAME AS SMC2064A) WITH WHEEL DRIVE BRACKET AND 15 LINKS OF 5/16" CHAIN (LESS HUBS)
1405-25	N64LA LEFT EQUALIZER (SAME AS SMC2064A) WITH 15 LINKS OF 5/16" CHAIN (LESS HUBS) (NOT SHOWN)
—	7/8" SQUARE SHAFTS (STATE LENGTH REQUIRED) 12" LONG FOR 60" TREAD WIDTH 15" LONG FOR 66" TREAD WIDTH 18" LONG FOR 72" TREAD WIDTH 22" LONG FOR 80" TREAD WIDTH 26" LONG FOR 88" TREAD WIDTH
—	EXTENDER FOR EQUALIZER CHAIN BRACKET

PARTS FOR SMC2064A WHEEL DRIVE
60"-88" TREAD WIDTH



Dwg No.
6676

DWG. NO. 6675